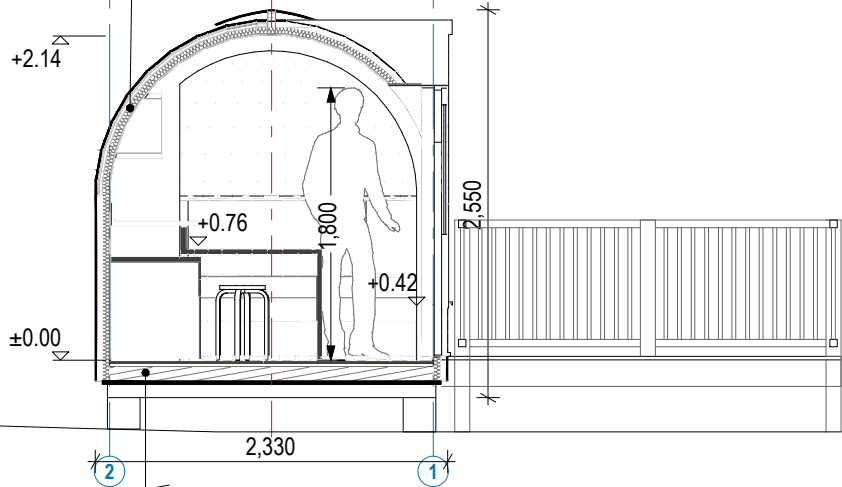


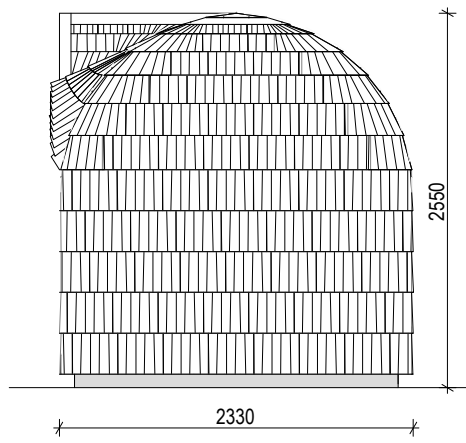
FLOOR PLAN 1:50

- EXTERIOR WALL CONSTRUCTION**
- Spruce shingles, 3 layers 18mm
  - Insect mesh
  - Plywood (C250) batten hor. 9mm
  - Plywood (C250) ventilation slats 9mm
  - Plywood (C250) ventilation slats 9mm
  - Vapor permeable underlay membrane
  - Gluelaminated frame s480mm 50mm
  - Polyurethane (closed cell), 50mm
  - Plywood battens hor. 9mm
  - Diffusion membrane
  - Wall paneling (aspen/spruce) 12mm

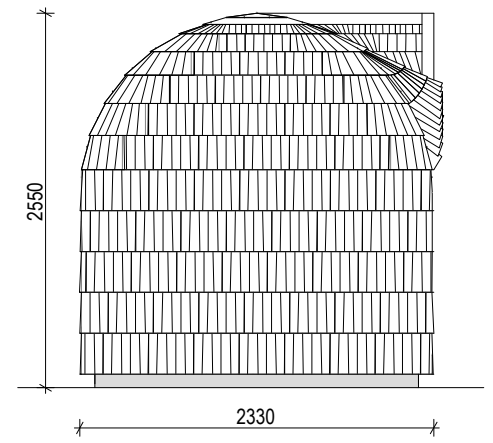


SECTION A 1:50

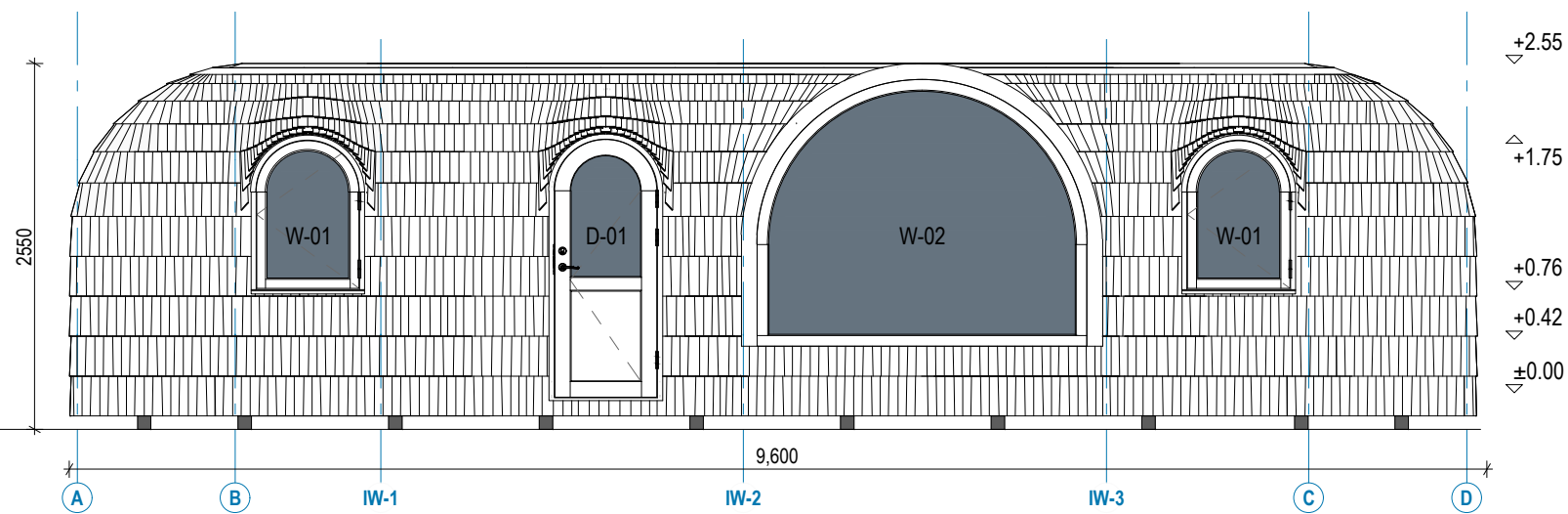
- FLOOR CONSTRUCTION**
- Flooring (laminated) 5mm
  - Underfloor heating plate with heating cable 15mm
  - OSB board 22mm
  - Wooden floor frame(C24) 95mm
  - polyurethane (closed cell) 95mm
  - Water-resistant plywood 21mm
  - Impregnated timber frame 90x90mm



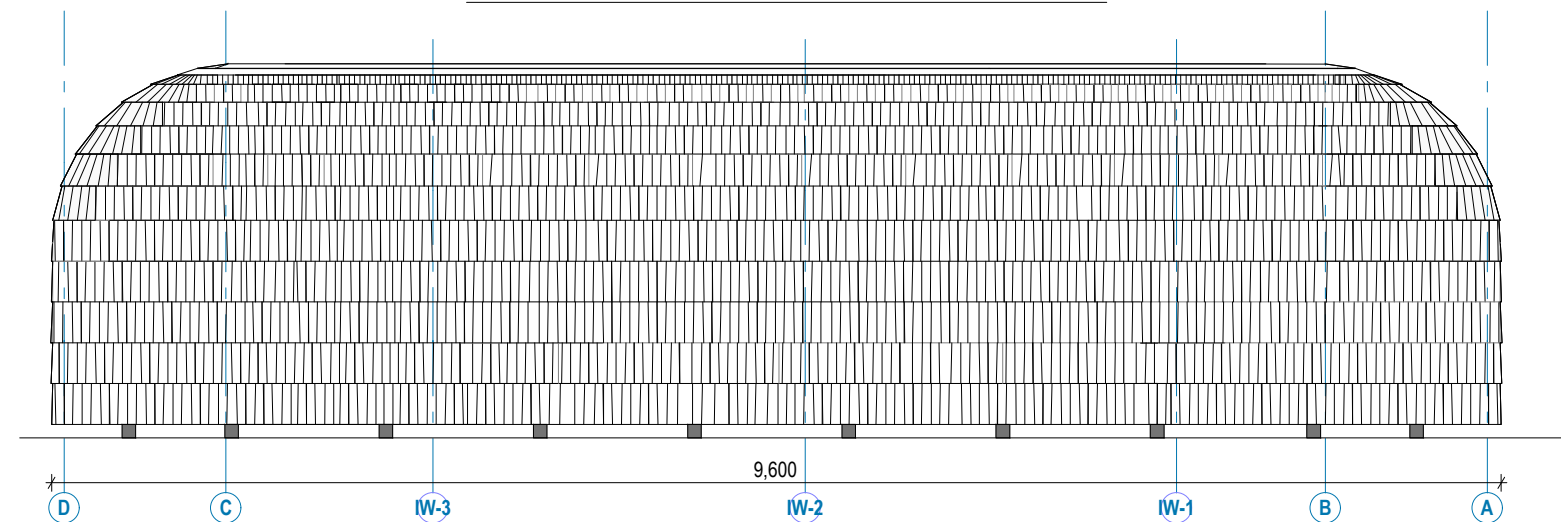
E2 SIDE ELEVATION 1:50



E4 SIDE ELEVATION 1:50



E1 FRONT ELEVATION 1:50



E3 REAR ELEVATION 1:50



No.	Date	Details	By
<b>PART 8 APPLICATION DRAWING</b>			
<b>BLUETT &amp; O'DONOGHUE</b>			
No. 1 Clancy Street, Dublin 7, Ireland Tel: 353 (1) 8562265 E-mail: mail@boda.ie Web: www.boda.ie		No. 2 John Street, Kilmore, Ireland Tel: 353 (56) 772907 E-mail: mail@boda.ie Web: www.boda.ie	
PROJECT: EXISTING GATE LODGES UPGRADE AND PROPOSED NEW ECO-PODS AT MOUNT CONGREVE ESTATE, WATERFORD			
CLIENT: MOUNT CONGREVE TRUST			
DRAWING TITLE: PROPOSED 1BED POD - GENERAL ARRANGEMENT			
DRAWN: TS	CHECKED: PB	PROJECT REF: P22-026	
DATE: APRIL 24	SCALE: 1:50 @ A1	DWG NO: P-302	REV:
© Copyright of Bluett & O'Donoghue Architects			

ISSUED 19 APRIL 2024