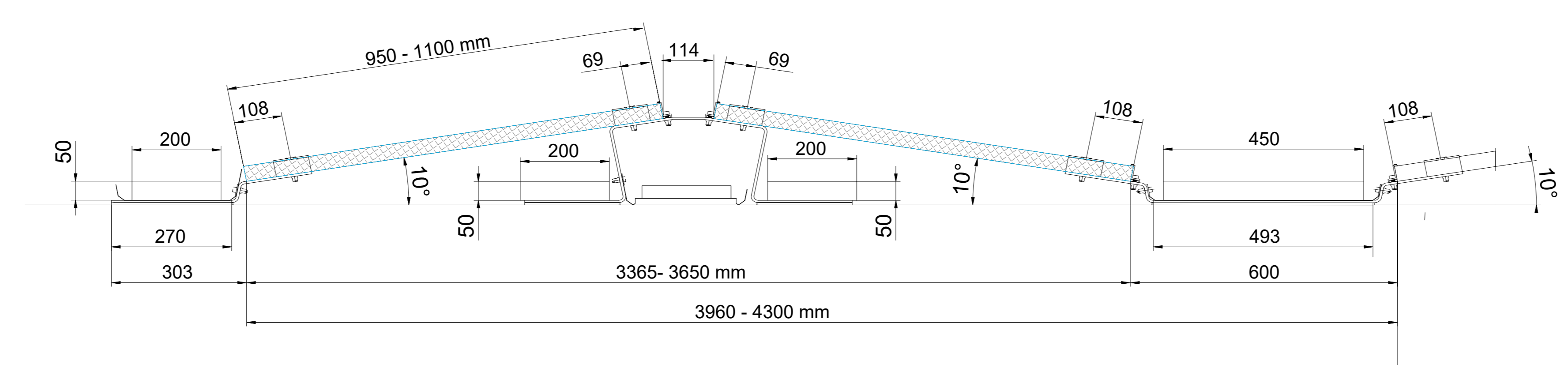
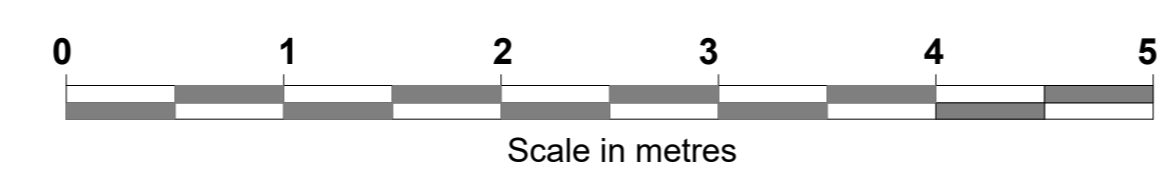


Legend:

410 Watt Photovoltaic Panel



Photovoltaic Panels – Sectional View

Revision	Date	Checked

Douglas Carroll CONSULTING ENGINEERS
 Office 7, 3rd Floor, Station House, Railway Square, Waterford, IE. X91 T38K
 Tel: 051-306670 Web: www.dcceng.ie E-mail: info@dcceng.ie
 Douglas Carroll Consulting Engineers Ltd trading as Douglas Carroll Consulting Engineers

Project Water Activity Centre - Ardmore	Client Waterford City & County Council
Drawing Discipline Electrical Services Installation	Architect dibarchitects
Drawing Title Roof Level PV Panel Installation	

Scale Refer to Scalebar	Drawing Size A1	Drawing By CH	Checked By MP	Date 28-06-2023
Drawing Number W2261 E600	Revision i	Stage Information		

Comhairle Cathrach & Contae Phort Láirge
Waterford City & County Council